

Product data sheet

Characteristics

XS4P12AB120

Inductive proximity sensors XS, inductive sensor XS4 M12, L50mm, PBT, Sn4mm, 12...24 VDC, cable 2 m



Product availability: Stock - Normally stocked in distribution facility

Price*: 205.32 USD



Main

| | |
|------------------------------------|--|
| Range of product | Telemecanique Inductive proximity sensors XS |
| Series name | Application |
| Sensor type | Inductive proximity sensor |
| Electrical circuit type | Analog output |
| Sensor name | XS4 |
| Sensor design | Cylindrical M12 |
| Size | 54 mm |
| Body type | Fixed |
| Detector flush mounting acceptance | Non flush mountable |
| Material | Plastic |
| Type of output signal | Analogue |
| Wiring technique | 2-wire |
| [Sn] nominal sensing distance | 0.16 ln (4 mm) |
| Discrete output function | 1 NC |
| Output circuit type | DC |
| Analogue output range | 4...20 mA |
| Electrical connection | Cable |
| Cable length | 6.56 Ft (2 m) |
| [Us] rated supply voltage | 12...24 V DC |
| IP degree of protection | IP67 conforming to IEC 60529 |

Complementary

| | |
|--------------------|-----------------------------|
| Thread type | M12 x 1 |
| Detection face | Frontal |
| Front material | PBT |
| Enclosure material | PBT |
| Operating zone | 0.02...0.16 ln (0.4...4 mm) |
| Repeat accuracy | <= 3% of Sr |

| | |
|------------------------------|--------------------------|
| Linearity error | +/- 2 mA |
| Cable composition | 3 x 0.34 mm ² |
| Wire insulation material | PvR |
| Supply voltage limits | 10...36 V DC |
| Switching frequency | <= 1500 Hz |
| Current consumption | 4 mA no-load |
| Maximum output current drift | 10 % |
| Marking | CE |
| Threaded length | 1.65 In (42 mm) |
| Height | 0.47 In (12 mm) |
| Length | 1.97 In (50 mm) |
| Net weight | 0.14 Lb(US) (0.065 kg) |

Environment

| | |
|---------------------------------------|----------------------------|
| Product certifications | UL CSA |
| Ambient air temperature for operation | -13...158 °F (-25...70 °C) |

Ordering and shipping details

| | |
|-----------------------|----------------------------|
| Category | 22486 - SENSORS, PROXIMITY |
| Discount Schedule | DS2 |
| GTIN | 03389110524666 |
| Nbr. of units in pkg. | 1 |
| Package weight(Lbs) | 2.47 Oz (70 g) |
| Returnability | No |
| Country of origin | FR |

Packing Units

| | |
|------------------------------|------------------------|
| Unit Type of Package 1 | PCE |
| Package 1 Height | 1.02 In (2.6 cm) |
| Package 1 width | 4.69 In (11.9 cm) |
| Package 1 Length | 4.69 In (11.9 cm) |
| Unit Type of Package 2 | BAG |
| Number of Units in Package 2 | 1 |
| Package 2 Weight | 3.14 Oz (89 g) |
| Package 2 Height | 0.79 In (2 cm) |
| Package 2 width | 7.87 In (20 cm) |
| Package 2 Length | 5.91 In (15 cm) |
| Unit Type of Package 3 | S02 |
| Number of Units in Package 3 | 22 |
| Package 3 Weight | 4.14 Lb(US) (1.877 kg) |
| Package 3 Height | 5.91 In (15 cm) |
| Package 3 width | 11.81 In (30 cm) |
| Package 3 Length | 15.75 In (40 cm) |

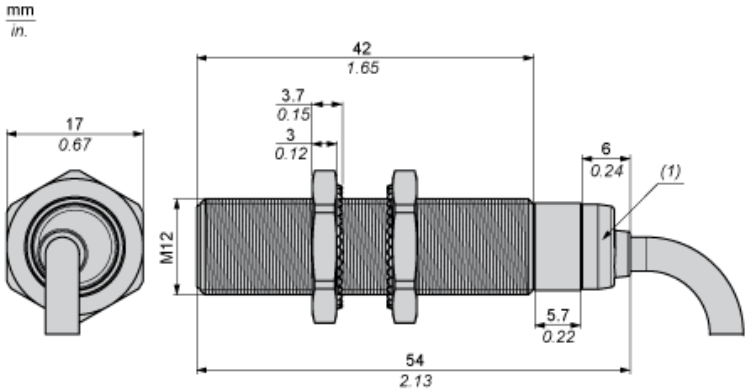
Offer Sustainability

| | |
|----------------------------|--|
| Sustainable offer status | Green Premium product |
| California proposition 65 | WARNING: This product can expose you to chemicals including: Diisononyl phthalate (DINP), which is known to the State of California to cause cancer, and Diisodecyl phthalate (DIDP), which is known to the State of California to cause birth defects or other reproductive harm. For more information go to www.P65Warnings.ca.gov |
| REACH Regulation | REACH Declaration |
| EU RoHS Directive | Pro-active compliance (Product out of EU RoHS legal scope) EU RoHS Declaration |
| Mercury free | Yes |
| RoHS exemption information | Yes |
| Environmental Disclosure | Product Environmental Profile |
| Circularity Profile | End Of Life Information |

Contractual warranty

| | |
|----------|-----------|
| Warranty | 18 months |
|----------|-----------|

Dimensions



(1) LED

Minimum Mounting Distances

Side by side



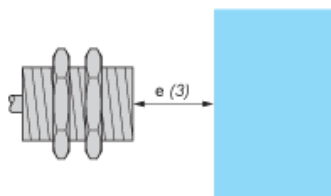
$e (1) \geq 6 \text{ mm}/0.63 \text{ in.}$

Face to face



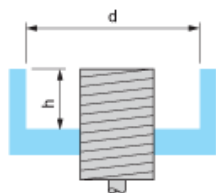
$e (2) \geq 8 \text{ mm}/1.89 \text{ in.}$

Facing a metal object



$e (3) \geq 2 \text{ mm}/0.47 \text{ in.}$

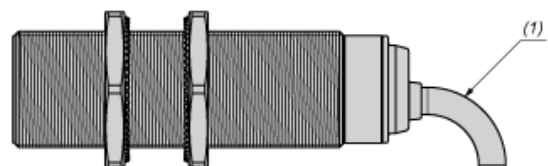
Mounted in a metal support



$d \geq 36 \text{ mm}/1.42 \text{ in.}$

$h \geq 8 \text{ mm}/0.31 \text{ in.}$

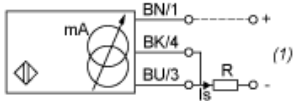
Mounting



(1) Bending cable: 4 x external cable diameter

Wiring Schemes

2-Wire connection



(1) Output current

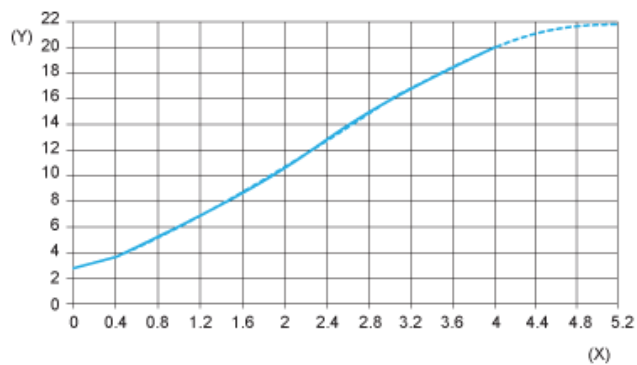
BN : Brown

BK : Black

BU : Blue

| | Output current | Load impedance value |
|------|----------------|----------------------|
| 12 V | 4...20 mA | $R \leq 8.2 \Omega$ |
| 24 V | 4...20 mA | $R \leq 470 \Omega$ |

Output Curves



(Y) Is (mA)

(X) Sensors - object distance (mm)

Product Life Status : **Commercialised**